
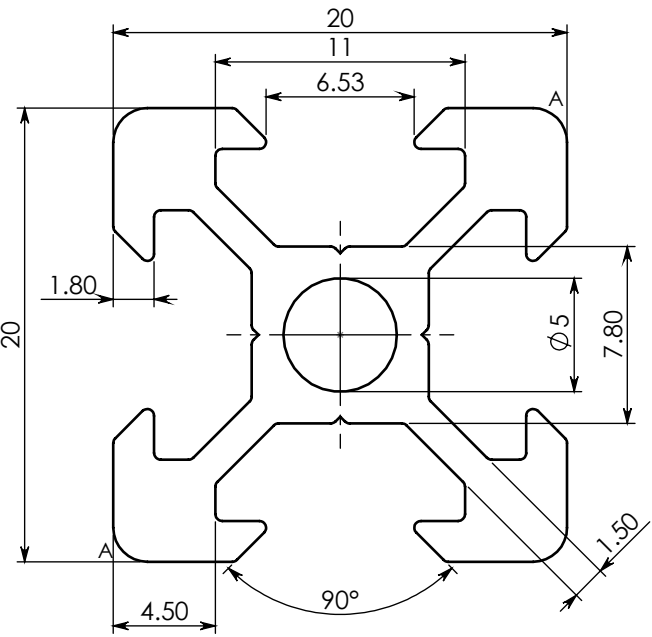


SHAPE No.		R	UNMARKED THICKNESS		EXPOSED SURFACES		E ----- E		V-GROOVES		0.30X90°			
			SURFACE FINISH	MILL	ANODISED	PAINTED	DO NOT SCALE		lxx	mm ⁴	lyy	mm ⁴		
EST MASS Kg/m	0.163	(Client is responsible to check all dimensions before signing drawing approval)												
AREA SQ/MM	162.614	<p>EXPOSED ALL ROUND</p> 												
TOTAL PERIMETER	157.204													
EXTERNAL PERIMETER	141.496													
ANODISING PERIMETER	149.350													
FACTOR	57													
CLASS/TYPE	21													
ALLOY	6063 T6													
LOCATION	O													
DRAWN	S.K													
DATE	19/07/2017													
SCALE	3 : 1													
ENQ. No.	N3644													
CAD FILE	N3644-1													
CUSTOMER DWG No.														
CUSTOMER ALSYSCO												RADII A = 1.50 OTHER RADII = 0.30		
IMPORTANT DIMENSIONS *														
TOLERANCES AS SHOWN AND ACCORDING TO DATA BOOK EDITION 18				END USE	EXHIBITION FRAME	CCD								
				SECTOR	EXHIBITION	27								
DATE	REVISION	DRAWN												

DIE SIZE
 No OF HOLES
 PRESS
 BOLSTER
 SUB BOLSTER
 RING NO.

SHAPE NO.